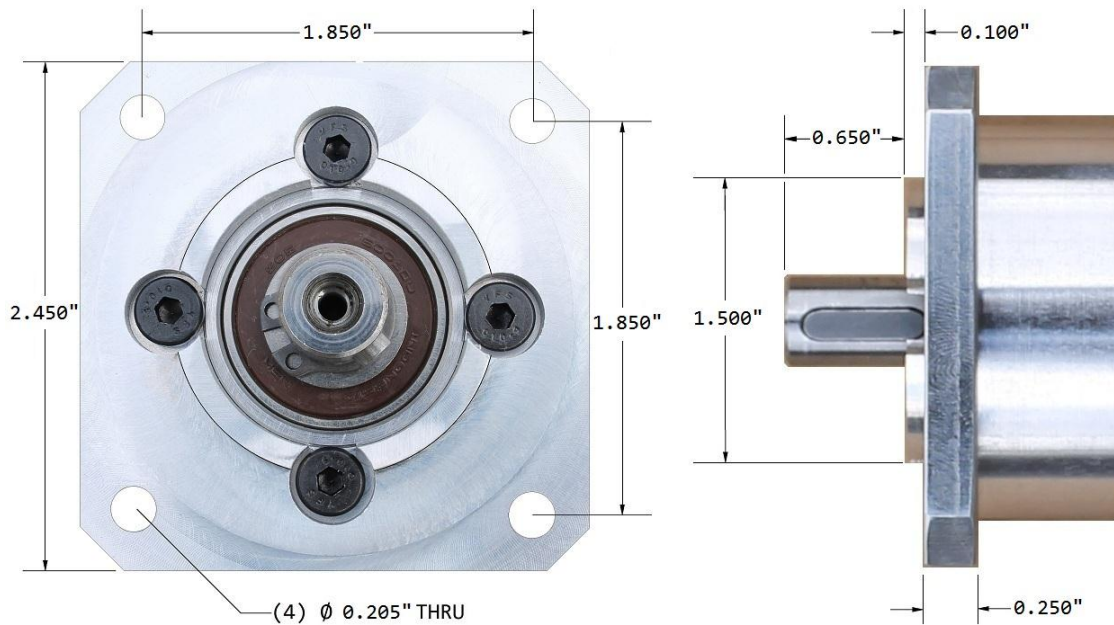




MMP FL23

GEARMOTOR ADAPTER NEMA FLANGE



TO DESIGNATE THIS OPTION, ADD SUFFIX: "FL23" TO THE END OF THE PART NUMBER.

EXAMPLE: MMP D22-376D-24V GP52-195 FL23

NOTE: THIS FLANGE IS AN ADD-ON OPTION. SUBSEQUENTLY THE OVERALL OUTPUT SHAFT LENGTH WILL BE REDUCED BY THE THICKNESS OF THE FLANGE.

MIDWEST MOTION PRODUCTS

DESIGN, MANUFACTURING & DISTRIBUTION - MOTION CONTROL EQUIPMENT

www.midwestmotion.com email: sales@midwestmotion.com