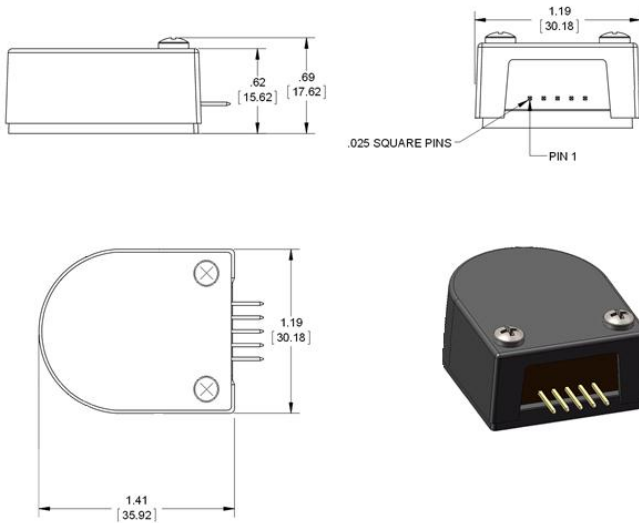


## EC Series Optical Encoder Option

Contact sales for pricing

(For use with only MMP TM40-285 & MMP S17-400 series Motors & Gearmotors)

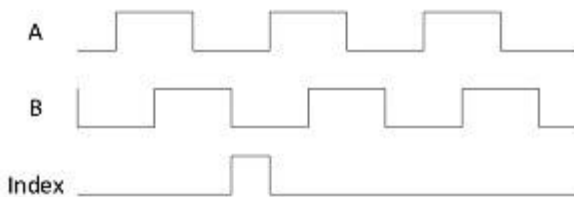


EC Series Interconnects/Functions		
Pin #:	Function:	Color:
1	Ground	Brown
2	Index	Violet
3	Channel A	Blue
4	+5 Volts	Orange
5	Channel B	Yellow

- 2 channel quadrature TTL squarewave outputs
- Index (3rd channel; 1x/Rev)
- 12" long flying leads
- Encoder is mounted integrally to the back of the motor or brake
- Resolutions available: 32 CPR, 100 CPR, 250 CPR, 500 CPR, 1024 CPR  
(Use suffix "EC-xxx" after model # to designate resolution when ordering)

### OUTPUT WAVEFORMS:

#### SINGLE-ENDED



**MIDWEST MOTION PRODUCTS**

DESIGN, MANUFACTURING & DISTRIBUTION - MOTION CONTROL EQUIPMENT

www.midwestmotion.com email: sales@midwestmotion.com