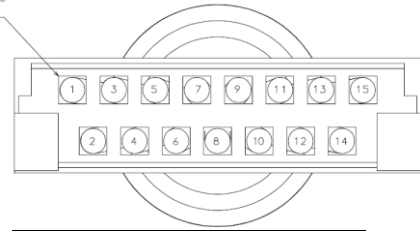


'EM' Series Modular Magnetic Encoder Option

Contact sales for pricing



QUANTITY 15
CRIMP WIRE
CONNECTOR

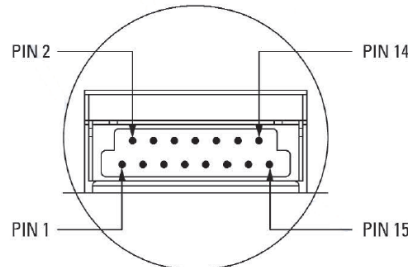
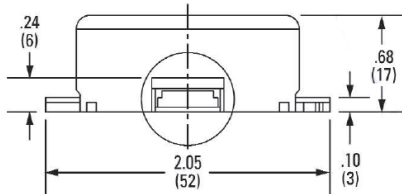
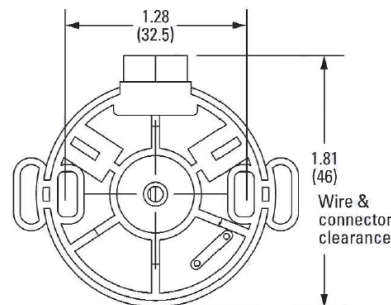
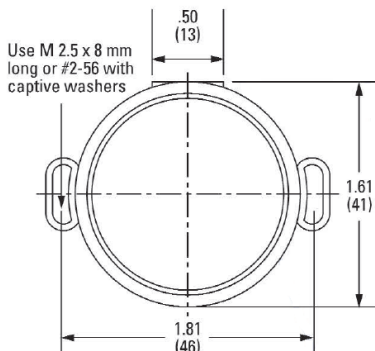


| Pin # : | Function: | Color: |
|---------|-----------------|---------|
| TP 1 | A+ | YEL |
| TP 2 | No Conn. | YEL/WHT |
| TP 3 | B+ | BLU |
| TP 4 | No Conn. | BLU/WHT |
| TP 5 | RP+ | ORG |
| TP 6 | No Conn. | ORG/WHT |
| TP 7 | No Conn. | GRN |
| TP 8 | No Conn. | GRN/WHT |
| TP 9 | No Conn. | BRN |
| TP 10 | No Conn. | BRN/WHT |
| TP 11 | No Conn. | WHT |
| TP 12 | No Conn. | WHT/GRY |
| TP 13 | VCC 1 | RED |
| TP 14 | GROUND | BLK |
| TP 15 | (No Connection) | GRY |

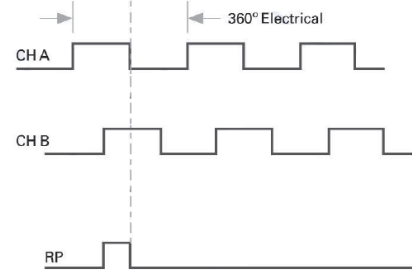
Includes 17.5" long cable (flying leads)

Default Resolutions available: 100, 256, 512, 1024 and 2048 CPR

Use suffix "EM-xxx" after model # to designate resolution when ordering



Incremental A, B, and RP outputs



Electrical Characteristics:

- Output: 2 channels in quadrature with gated index
- Supply voltage: 5 VDC \pm 10%
- Output Format: Open Collector
- Current requirements: 39 mA plus output load
- Frequency response: 200 kHz (800 kHz data rate)

NOTE: For frequencies higher than 30 kHz, a 1k Ohm Pull-Up Resistor should be used with each output conductor.

MIDWEST MOTION PRODUCTS

DESIGN, MANUFACTURING & DISTRIBUTION - MOTION CONTROL EQUIPMENT

www.midwestmotion.com email: sales@midwestmotion.com