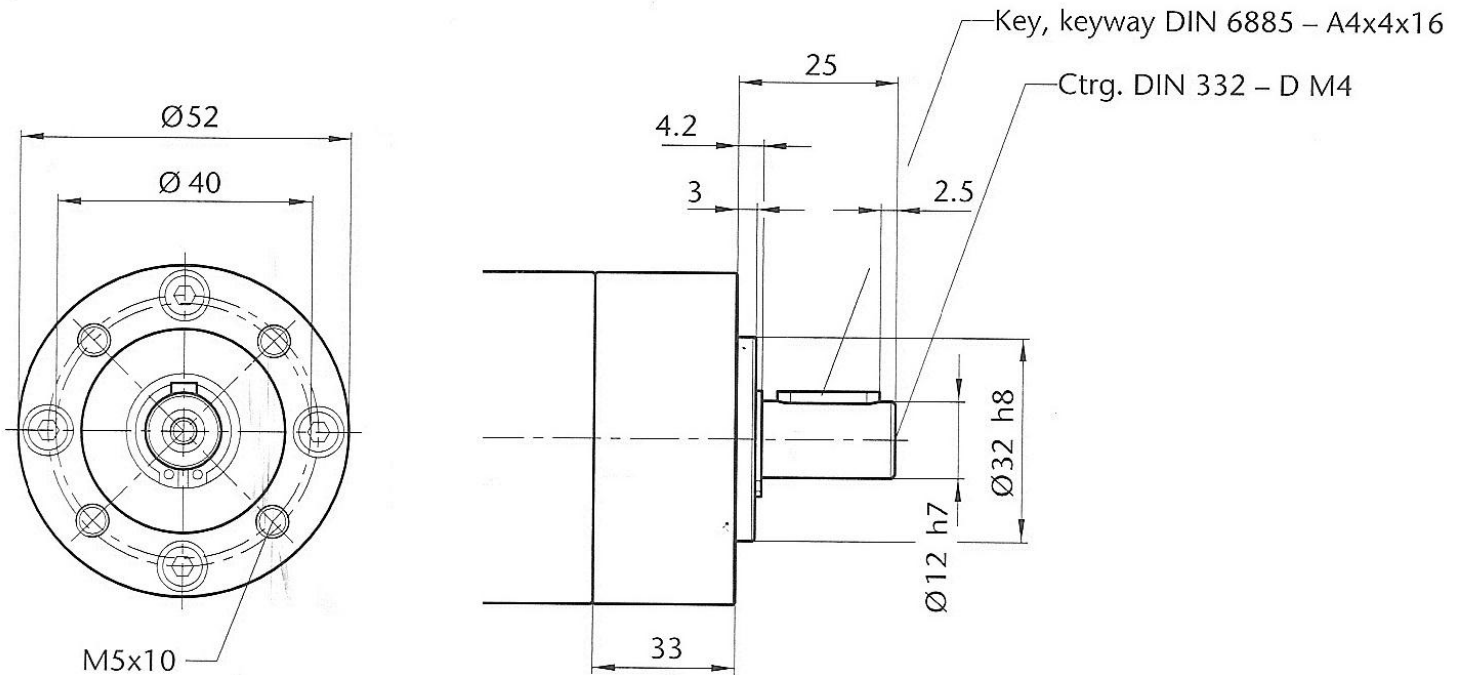


## MMP GP52 SERIES OUTPUT END DIMENSIONS & TOLERANCES:



Gearhead Dimension	mm	Tolerance
Gearhead Major Diameter	52	±0.1
Threaded Mounting Holes:	5 x 0.8 x 10 dp	Medium fit 6H/6g
Shaft Diameter:	12mm, Std material C15PB	- 0.006 - 0.017
Shaft Length:	25	±0.6
Key: DIN 6885-A 4x4x16 Width:	4	+0.030 - Standard Key Material - C15PB
Height:	4	+0.030
Length:	16	
Pilot Diameter:	32	+0 -0.039
Pilot Length:	3	±0.1
Threaded ShaftHole -DIN 332-M4:	M4; 20 dp	Standard fit;

This document is intended for use with our basic "CAD" drawings as found on our website at [www.midwestmotion.com](http://www.midwestmotion.com).

Please contact our offices if you have any additional questions.

NEMA23 mounting flanges also available. See this link for additional details:  
<http://www.midwestmotion.com/Flanges/NEMA23.pdf>