



MMP LA10 SERIES INDUSTRIAL-DUTY DC LINEAR ACTUATORS



SPECIFICATIONS:

Input Voltage	12 OR 24 VDC					
Gear Ratio	5 : 1	10 : 1	20 : 1	30 : 1	40 : 1	
Load Capacity (Force)	450 Lbs.	787 Lbs.	1012 Lbs.	1349 Lbs.	1574 Lbs.	
Static Load	3000 Lbs.					
Available Stroke Lengths	4" (84mm)	6" (135mm)	8" (186mm)	12" (288mm)	18" (457mm)	24" (610mm)
Speed @Full Load	2.56"/sec	1.38"/sec	0.71"/sec	0.43"/sec	0.32"/sec	
Clevis Ends	Ø 0.5" dia. Mounting Holes on each end					
Screw Type	Ball Screw					
Duty Cycle	Max Recommended Duty = 25%					
Operating Temp Range	-13°F to +149°F -25°C to +65°C					
IP Grade	IP65					

Standard Features:

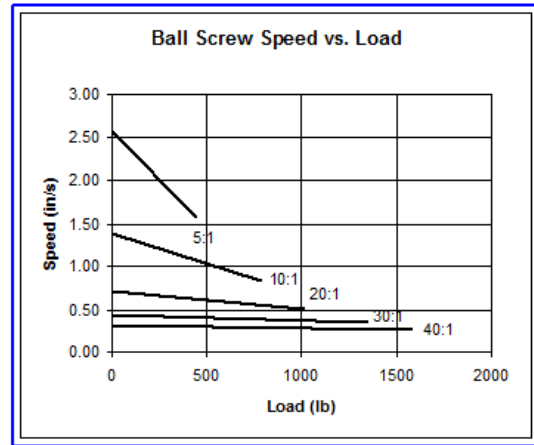
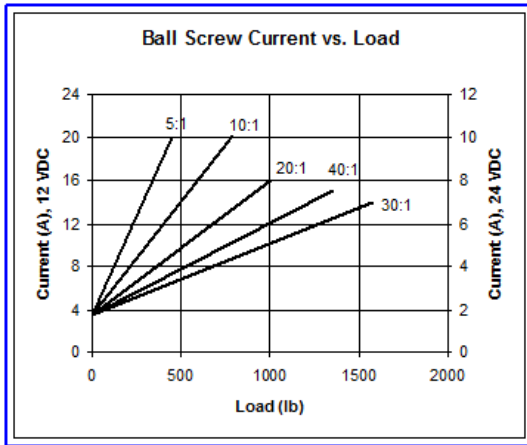
- **Stainless Steel Extension Tube**
- **Overload Clutch**
- **All Aluminum Case**
- **Thermal Overload Protection**
- **Anti Back-drive Mechanism**
- **Built-in Limit Switches**

Options:

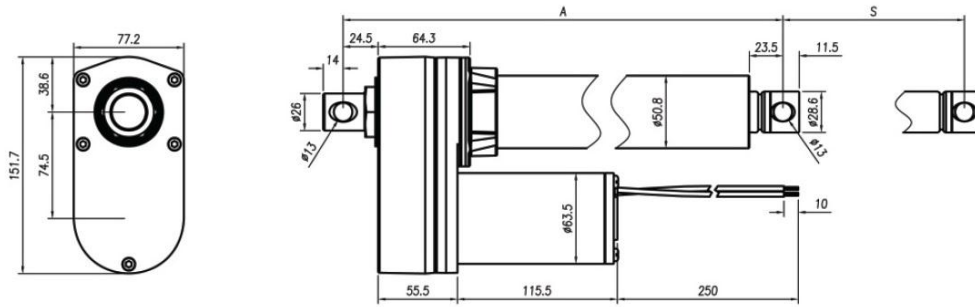
- **Manual Drive - Hand Crank**
- **Potentiometer**

Accessories:

- **Mounting Bracket**
- **Reversing Control Switches**

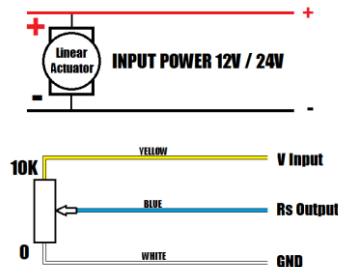


MMP LA10 Series Dimensions



	4"	6"	8"	12"	18"	24"
S(±5)	84	135	186	288	459	612
A(±3)	306	357	408	510	737	890

MMP LA10 WIRING DIAGRAM:



MODEL NUMBER DESIGNATION											
Example →	MMP LA10	-	12V	-	20	-	B	-	100 (4")	-	P
			Voltage		Gear Ratio		Ball-Screw Drive		Stroke Length		Options
Options →			12 V		5 = 5 : 1				100 (4")		P = Built-In Potentiometer
Options →			24V		10 = 10 : 1				150 (6")		
Options →					20 = 20 : 1				200 (8")		
Options →					30 = 30 : 1				300(12")		
Options →					40 = 40 : 1				450(18")		
Options →									600(24")		

Finished example part number from above would read: MMP LA10-12V-20-B-100-P
 If potentiometer or limit switches are not needed, simply leave out the -P, -L or both.