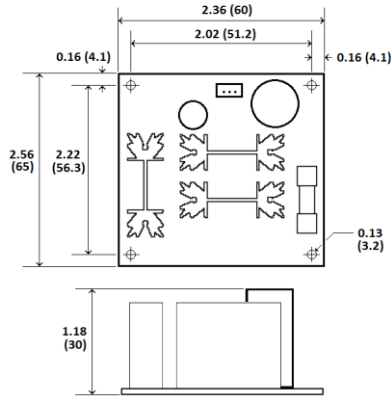




MMP 10A-12.60V Motor Speed Control



Dimensions are INCHES ()

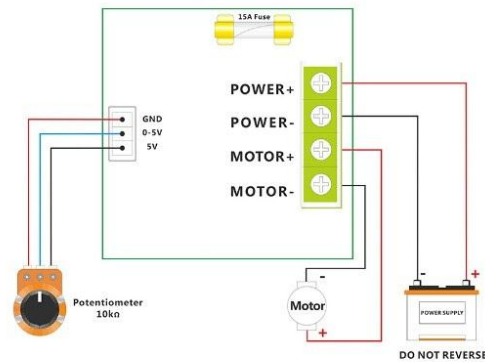
DESCRIPTION:

The MMP 10A-12.60V is a PWM DC drive, designed to control the speed of DC motors & Gearmotors. Featuring high efficiency, high torque, low heat generating. With reverse polarity protection, high current protection

SPECIFICATIONS:

DC Input Voltage (VDC)	12-60
DC Output Voltage (VDC)	0-95% of input
Continuous Current (A)	10
Max Current (A)	15
Ambient Temperature(°C)	0-55
PWM Duty Cycle	0% -100%
PWM Frequency	15Khz
Voltage control	0-5v (Voltage-mode control, can use PLC to control the motor speed directly)
Protection	Reverse connection protection, over-voltage protection

STANDARD WIRING



VOLTAGE-MODE



Speed Control/System Usage Guidelines:

When installing a motor, gearmotor, motor control or servo amplifier, universally accepted engineering practices should always be observed. Please feel free to refer to [MMP's General Tips](#) webpage for general information regarding proper usage, to help ensure proper performance.

MIDWEST MOTION PRODUCTS

DESIGN, MANUFACTURING & DISTRIBUTION - MOTION CONTROL EQUIPMENT

www.midwestmotion.com email: sales@midwestmotion.com