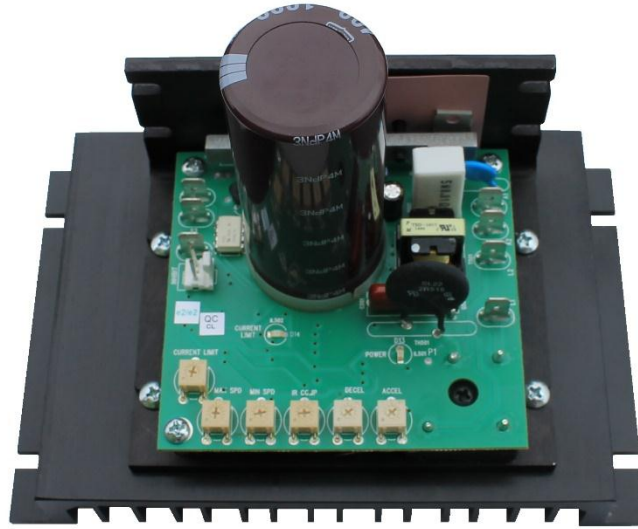




MMP 90V-10A-PWM

Pulse-Width Modulated Motor Speed Control



Input Voltage	Continuous Rated Current	HP @ Low Voltage	HP @ High Voltage	Braking?	Reversing?	Enclosure
115 / 230	10 Amps	1/2 to 1	1 to 2	No	No	Open Chassis

TYPICAL APPLICATIONS:

- Conveying
- Printing
- Exercise Equipment
- Packaging
- Film Processing
- Winding Machinery
- Automation Equipment

FEATURES & BENEFITS:

- Very Low AC Ripple – 1.05 Form Factor
- Each unit is shipped with a Speed Adjust Potentiometer.
- Speed range and regulation: 1% regulation over 100:1 speed range.
- Analog input voltage range: 0-5 VDC (isolated: S1 to S2)
- User adjustable calibration pots: IR compensation, min speed, max speed, current limit, acceleration and deceleration.
- Diagnostic LED's: LED's for power and current limit status.
- Inhibit terminals for stopping: Allows user to remotely coast the drive to a stop
- Spade terminals: Easy to use, lower cost and able to fit in a smaller package.
- 16.5 kHz switching frequency: A high switching frequency means a quiet motor!
- AC input/DC output switches: Allows the selection of lower voltage (0-130VDC) DC output for 115 or 230 VAC input.
- Auto-ranging power supply: Accepts AC or DC input in the 115 to 230 Volt range.

Speed Control/System Usage Guidelines

When installing a motor, gearmotor, motor control or servo amplifier, universally accepted engineering practices should always be observed. Please feel free to refer to [MMP's General Tips](#) webpage for general information regarding proper motor, gearmotor, motor control and servo amplifier usage, to help ensure proper performance, and complete satisfaction with your application.

For more information, please contact our Sales Office at: sales@midwestmotion.com

MIDWEST MOTION PRODUCTS

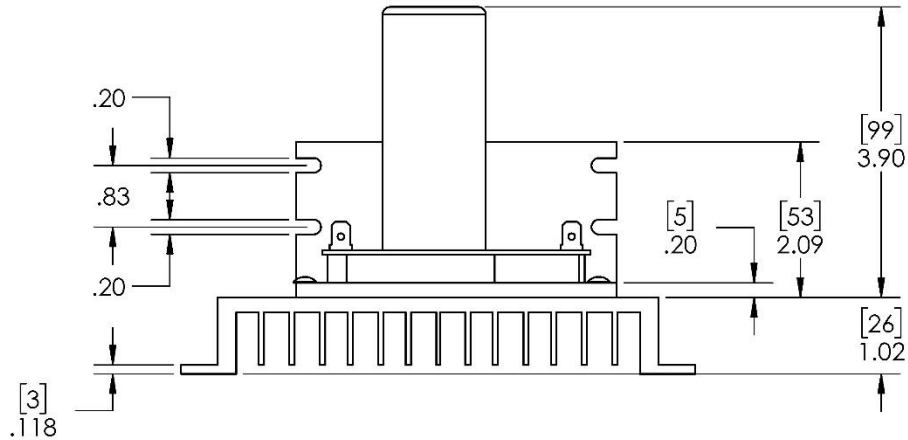
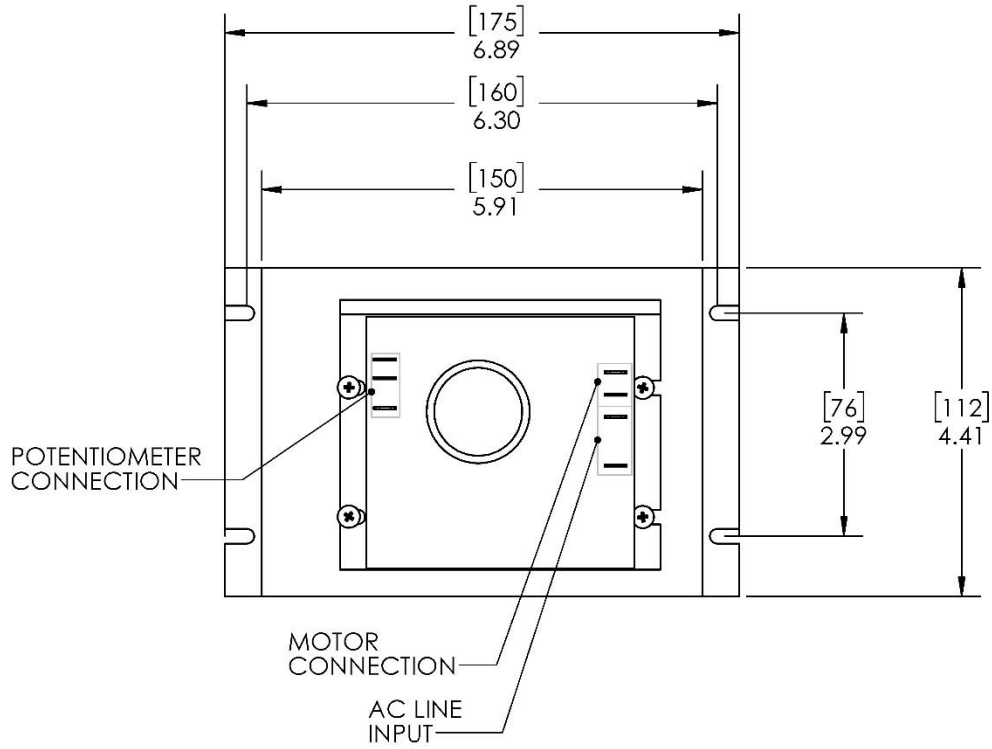
DESIGN, MANUFACTURING & DISTRIBUTION - MOTION CONTROL EQUIPMENT

www.midwestmotion.com email: sales@midwestmotion.com



Technical Information

MMP 90V-10A



ALL DIMENSION ARE IN INCHES [MM] UNLESS OTHERWISE STATED

MIDWEST MOTION PRODUCTS

DESIGN, MANUFACTURING & DISTRIBUTION - MOTION CONTROL EQUIPMENT

www.midwestmotion.com email: sales@midwestmotion.com

MIDWEST MOTION PRODUCTS