



# MMP SA-1220A-HV SERVO AMPLIFIER

MIDWEST MOTION PRODUCTS

Description	Power Range
-------------	-------------

The MMP SA-1220A-HV servo amplifier is designed to drive brushed or brushless type DC motors at a high switching frequency.

A single red/green LED indicates operating status. The drive is fully protected against over-voltage, under-voltage, over-current, over-heating and short-circuits across motor, ground, and power leads.

Furthermore, the drive can interface with digital controllers or be used stand-alone and requires only a single unregulated DC power supply.

Loop gain, current limit, input gain and offset can be adjusted using 14-turn potentiometers.

The offset adjusting potentiometer can also be used as an on-board input signal for testing purposes. This drive can use quadrature encoder inputs for velocity control.

Peak Current	20 A
Continuous Current	12 A
Supply Voltage	40-175 VDC



## Features

- |  |  |
|--|--|
| ↳ Four Quadrant Regenerative Operation | ↳ On-Board Test Potentiometer                |
| ↳ DIP Switch Selectable Modes          | ↳ Offset Adjustment Potentiometer            |
| ↳ DIP Switch Configurable Loop Tuning  | ↳ Adjustable Input Gain                      |
| ↳ Selectable Inhibit Logic             | ↳ Selectable 120/60 Hall Commutation Phasing |
| ↳ Adjustable Current Limits            | ↳ Encoder Velocity Mode                      |
| ↳ High Switching Frequency             | ↳ Velocity Monitor Output                    |
| ↳ Differential Input Command           | ↳ Current Monitor Output                     |
| ↳ Digital Fault Output Monitor         | ↳ Drive Status LED                           |

### MODES OF OPERATION

- ↳ Current
- ↳ Encoder Velocity
- ↳ Duty Cycle (Open Loop)

### COMMAND SOURCE

- ↳ ±10 V Analog

### FEEDBACK SUPPORTED

- ↳ Hall Sensors
- ↳ Incremental Encoder

### MOTORS SUPPORTED

- ↳ Three Phase (Brushless)
- ↳ Single Phase (Brushed, Voice Coil, Inductive Load)

### COMPLIANCES & AGENCY APPROVALS

- ↳ UL
- ↳ cUL
- ↳ CE Class A (LVD)
- ↳ CE Class A (EMC)
- ↳ RoHS

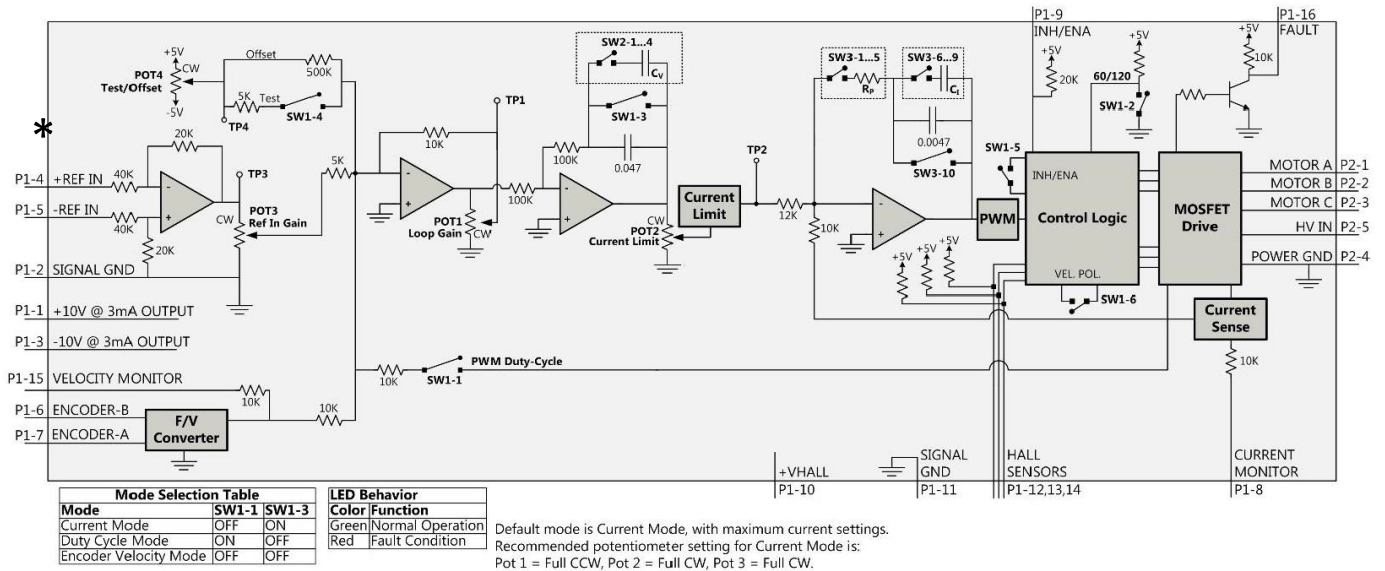
## Table of Contents

Block Diagram . . . . .	3
Information on Approvals and Compliances . . . . .	3
Specifications . . . . .	4
Pin Functions . . . . .	5
Hardware Settings . . . . .	6
Importance of Proper Current Monitoring . . . . .	7
Using an Encoder Feedback with a Servo Amplifier . . . . .	8
Running a Brushed DC motor with the Servo Amplifier . . . . .	11
Reversing a Brushless Motor . . . . .	12
Regenerative Braking with the Servo Amplifier . . . . .	13
Loop Tuning Switch Functions . . . . .	16
Mechanical Information and Hardware . . . . .	17
Mounting Dimensions . . . . .	18
Troubleshooting Guide	
Red LED Causes and Solutions . . . . .	19
Current Loop Tuning . . . . .	22
Command Curve Adjustment . . . . .	23

### Servo Amplifier/System Usage Guidelines




When installing a motor, gearmotor, motor control or servo amplifier, universally accepted engineering practices should always be observed. Please feel free to refer to [MMP's General Tips](#) webpage for general information regarding proper motor, gearmotor, motor control and servo amplifier usage, to help ensure proper performance, and complete satisfaction with your application.

**BLOCK DIAGRAM**



Note that the above diagram is for a brushless motor with Hall effects and with or without an encoder. If you have purchased other hardware to run with the amplifier then the above wiring scheme does not apply. Contact MMP for more details.

\*Potentiometer with wires and contacts are provided with this amplifier from MMP. Please see page 17 for further details.

Information on Approvals and Compliances	
	US and Canadian safety compliance with UL 508c, the industrial standard for power conversion electronics. UL registered under file number E140173. Note that machine components compliant with UL are considered UL registered as opposed to UL listed as would be the case for commercial products.
	Compliant with European EMC Directive 2004/108/EC on Electromagnetic Compatibility (specifically EN 61000-6- 4:2007 for Emissions, Class A and EN 61000-6-2:2005 for Immunity, Performance Criteria A). LVD requirements of Directive 2006/95/EC (specifically, EN 60204-1:2004, a Low Voltage Directive to protect users from electrical shock).
	The RoHS Directive restricts the use of certain substances including lead, mercury, cadmium, hexavalent chromium and halogenated flame retardants PBB and PBDE in electronic equipment.

**SPECIFICATIONS**

Power Specifications		
Description	Units	Value
DC Supply Voltage Range	VDC	40 - 175
DC Bus Over Voltage Limit	VDC	194
DC Bus Under Voltage Limit	VDC	32
Maximum Peak Output Current <sup>1</sup>	A	20
Maximum Continuous Output Current	A	12
Maximum Continuous Output Power at Continuous Current	W	1995
Maximum Power Dissipation at Continuous Current	W	105
Minimum Load Inductance (Line-To-Line) <sup>2</sup>	µH	200
Internal Bus Capacitance	µF	141
Low Voltage Supply Outputs	-	±10 VDC (3 mA), +5 VDC (150 mA)
Switching Frequency	kHz	22
Control Specifications		
Description	Units	Value
Command Sources	-	±10 V Analog
Feedback Supported	-	Hall Sensors, Incremental Encoder
Commutation Methods	-	Trapezoidal
Modes of Operation	-	Current, Encoder Velocity, Duty Cycle (Open Loop)
Motors Supported	-	Three Phase (Brushless), Single Phase (Brushed, Voice Coil, Inductive Load)
Hardware Protection	-	Over-Current, Over-Temperature, Over-Voltage, Under-Voltage, Short-Circuit (Phase-Phase & Phase-Ground)
Primary I/O Logic Level	-	5V TTL
Mechanical Specifications		
Description	Units	Value
Agency Approvals	-	CE Class A (EMC), CE Class A (LVD), cUL, RoHS, UL
Size (H x W x D)	mm (in)	129.3 x 75.8 x 25.1 (5.09 x 2.98 x 0.99)
Weight	g (oz)	249.5 (8.8)
Heatsink (Base) Temperature Range <sup>3</sup>	°C (°F)	0 - 65 (32 - 149)
Storage Temperature Range	°C (°F)	-40 - 85 (-40 - 185)
Form Factor	-	Panel Mount
P1 Connector	-	16-pin, 2.54 mm spaced, friction lock header
P2 Connector	-	5-port, 5.08 mm spaced, quick disconnect terminal

**Notes**

1. Maximum duration of peak current is ~2 seconds. Peak RMS value must not exceed continuous current rating of the drive.
2. Lower inductance is acceptable for bus voltages well below maximum. Use external inductance to meet requirements.
3. Additional cooling and/or heatsink may be required to achieve rated performance.

MIDWEST MOTION PRODUCTS

**PIN FUNCTIONS**

P1 - Signal Connector			
Pin	Name	Description / Notes	I/O
1	+10V 3mA OUT	±10 V @ 3 mA low power supply for customer use. Short circuit protected. Reference ground common with signal ground.	O
2	SIGNAL GND		GND
3	-10V 3mA OUT		O
4	+REF IN	Differential Reference Input (±10 V Operating Range, ±15 V Maximum Input)	I
5	-REF IN		I
6	ENCODER-B IN	Single-ended encoder channel B input. +5 V logiclevel.	I
7	ENCODER-A IN	Single-ended encoder channel A input. +5 V logiclevel.	I
8	CURRENT MONITOR	Current Monitor. Analog output signal proportional to the actual current output. Scaling is 2.0 A/V. Measure relative to signal ground.	O
9	INHIBIT / ENABLE	TTL level (+5 V) inhibit/enable input. Pull to ground to inhibit drive (SW1-5 ON). Pull to ground to enable drive (SW1-5 OFF). Inhibit turns off all power devices.	I
10	+V HALL 30mA OUT	Low Power Supply For Hall Sensors (+6 V @ 30 mA). Referenced to signal ground. Short circuit protected.	O
11	GND	Signal Ground	GND
12	HALL 1	Single-ended Hall/Commutation Sensor Inputs (+5 V logiclevel). Leave open for brushed motors.	I
13	HALL 2		I
14	HALL 3		I
15	VEL MONITOR OUT	Velocity Monitor. Analog output proportional to motor speed. In Encoder Velocity mode, output is proportional to the encoder line frequency. Encoder Velocity scaling is 22 kHz/V.	O
16	FAULT OUT	TTL level (+5 V) output becomes high when power devices are disabled due to at least one of the following conditions: inhibit, invalid Hall state, output short circuit, over voltage, over temperature, power-up reset.	O

P2 - Power Connector			
Pin	Name	Description / Notes	I/O
1	A	Motor Phase A	O
2	B	Motor Phase B	O
3	C	Motor Phase C	O
4	POWER GND	Power Ground (Common With Signal Ground)	PGND
5	HIGH VOLTAGE	DC Power Input	I

MIDWEST MOTION PRODUCTS

**HARDWARE SETTINGS**

**Configuration Switch Functions**

SW1	Description	Setting	
		On	Off
1	Duty Cycle mode selector. Activates internal PWM feedback. OFF by default	Duty Cycle mode	Other modes
2	60/120-degree commutation phasing setting. ON, by default, for current mode and OFF for other modes.	120 degrees	60 degrees
3	Outer loop integration. Activates or deactivates integration. ON for current mode and OFF for other modes. ON by default.	Inactive	Active
4	Test/Offset. Switches the function of the Test/Offset pot between an on-board command input for testing or a command offset adjustment. OFF by default.	Test	Offset
5	Inhibit logic. Sets the logic level of inhibit pins. ON by default	Drive Inhibit is active low	Drive Inhibit is active high
6	Velocity feedback polarity. Changes the polarity of the internal feedback signal and the velocity monitor output signal. Inversion of the feedback polarity may be required to prevent a motor run-away condition. ON by default.	Standard	Inverted

*Mode Selection Table*

	SW1	SW3	Encoder
CURRENT	OFF	ON	Not Connected
DUTY CYCLE	ON	OFF	Not Connected
ENCODER VELOCITY*	OFF	OFF	Connected

\*Note: Use SW1-6 to change the feedback polarity if necessary. This may be required to prevent a run-away condition.

**Potentiometer Functions**

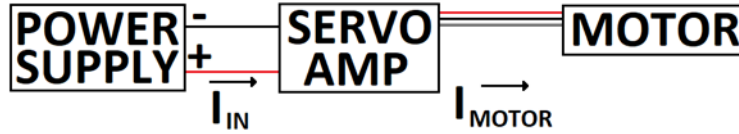
Potentiometer	Description	Turning CW
1	Loop gain adjustment for duty cycle / velocity modes. Turn this pot fully CCW in current mode.	Increases gain
2	Current limit. It adjusts both continuous and peak current limit while maintaining their ratio.	Increases limit
3	Reference gain. Adjusts the ratio between input signal and output variables (voltage, current, or velocity).	Increases gain
4	Offset / Test. Used to adjust any imbalance in the input signal or in the amplifier. Can also be used as an on-board signal source for testing purposes.	Adjusts offset in negative direction

Note: Potentiometers are approximately linear and have 12 active turns with 1 inactive turn on each end. Test points are provided on the drive PCB near each potentiometer to measure the potentiometer value.

**MIDWEST MOTION PRODUCTS**

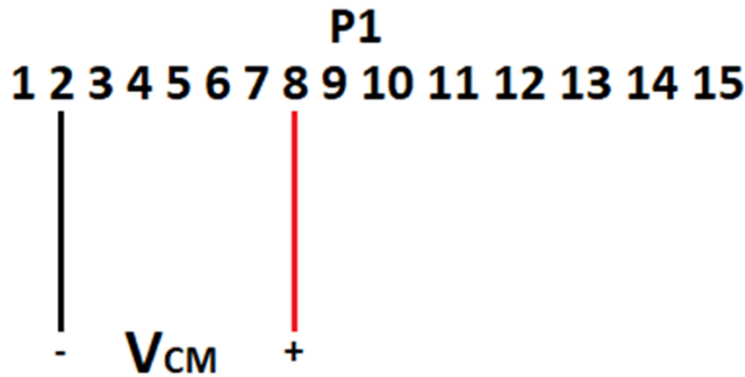
### Importance of Proper Current Monitoring

There are many factors which affect motor performance and longevity. One very important factor to motor life is motor current. An input current that is too high can cause severe, irreversible damage to a motor. One common misconception with servo amplifiers is that the input current into the amplifier and output current to the motor phases are the same amplitude:

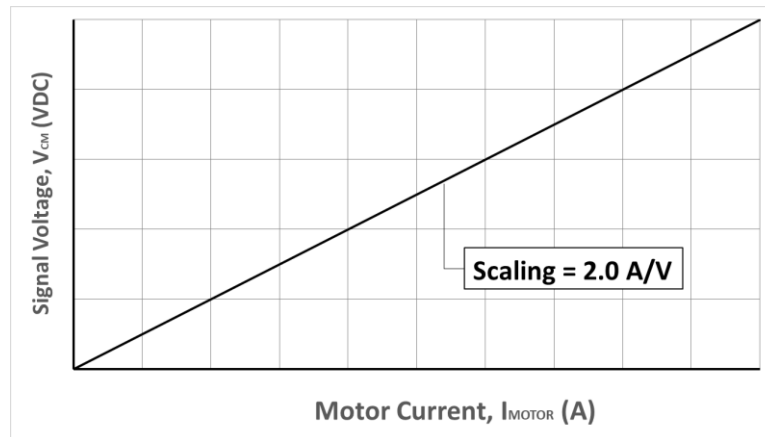


$$I_{IN} \neq I_{MOTOR} \text{ (necessarily)}$$

Due to the nature of the MMP SA-1220A-HV the input and output currents usually correlate but are not always equal. To ensure the motor is receiving the proper amount of current we highly recommend utilizing the current monitor pin (P1-8, see page 5, Pin Functions table for further details) and measuring the voltage relative to signal ground as shown below.



The voltage output is analog and linearly scaled to the current input to the motor phases. The scale is 2.0 A/V as stated in the Pin Functions table on page 5.



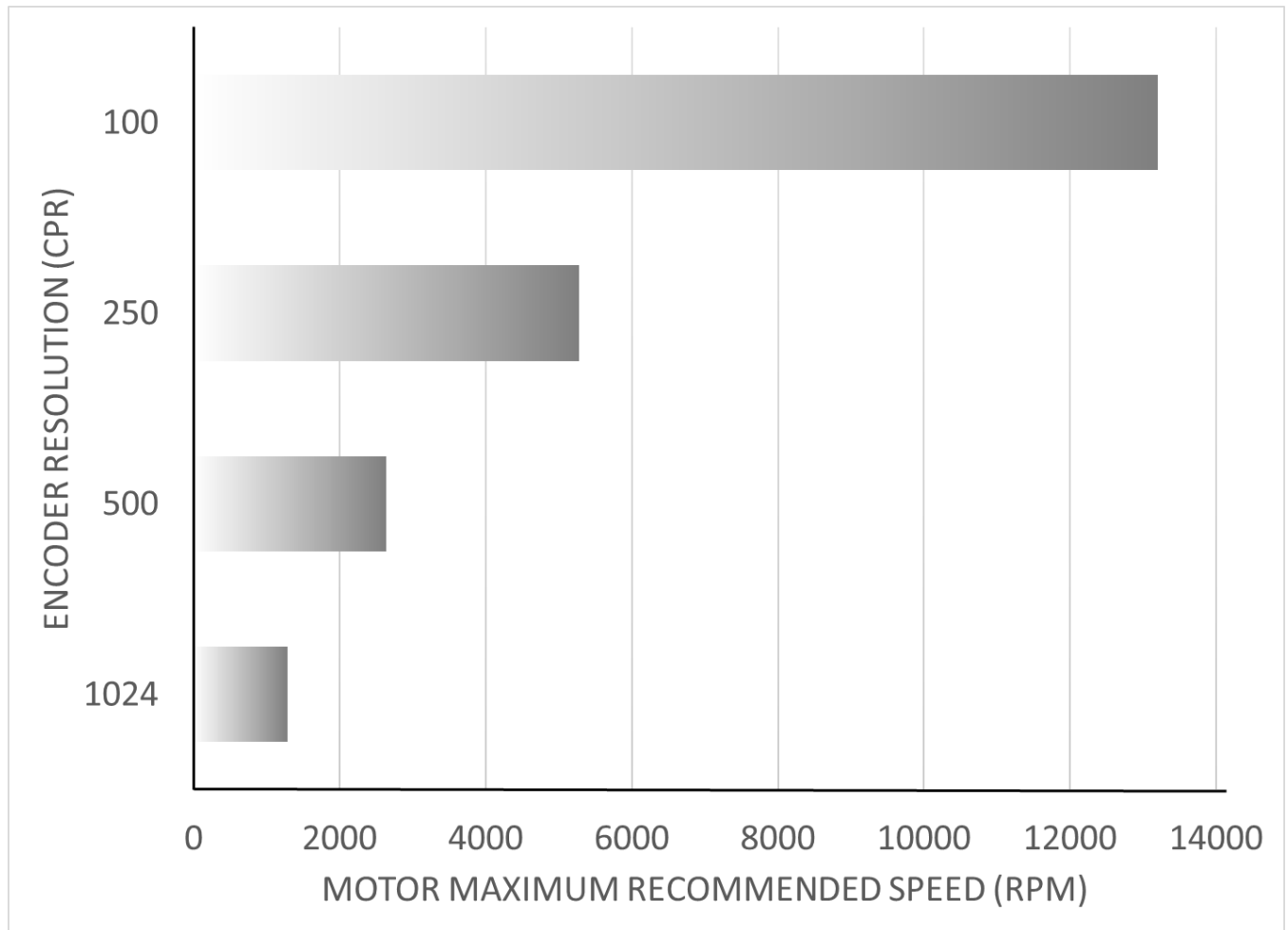
The current monitor signal tracks current delivered to all three motor phases (where applicable).

**Using an Encoder Feedback with a Servo Amplifier**

Encoders can be used with the MMP SA-1220A-HV to provide feedback to the amplifier and control speed of the motor. The default setting on the servo amplifier is duty cycle mode. This mode does not use motor feedback. If motor speed as feedback is required then using an encoder as feedback to the Servo Amplifier is recommended. For encoder feedback the MMP SA-1220A-HV needs to be properly configured and wired.

The resolution of the encoder and speed of the motor is important for proper speed control. The MMP SA-1220A-HV uses both parameters to input a switching frequency and thus control the motor speed. The MMP SA-1220A-HV has a maximum switching frequency of 22 kHz (Specifications table, page 4). As long as the input frequency is no less than 10 Hz and does not exceed the maximum frequency the servo amplifier is able to control speed smoothly. Typically, an encoder resolution is chosen that maximizes the input frequency without exceeding the switching frequency. The encoder resolution is also chosen based on the following guidelines for expected maximum motor speed:

Encoder Resolution (CPR)	Motor Max Recommended Speed (RPM)
200	1050
100	2100
50	4201
32	6565

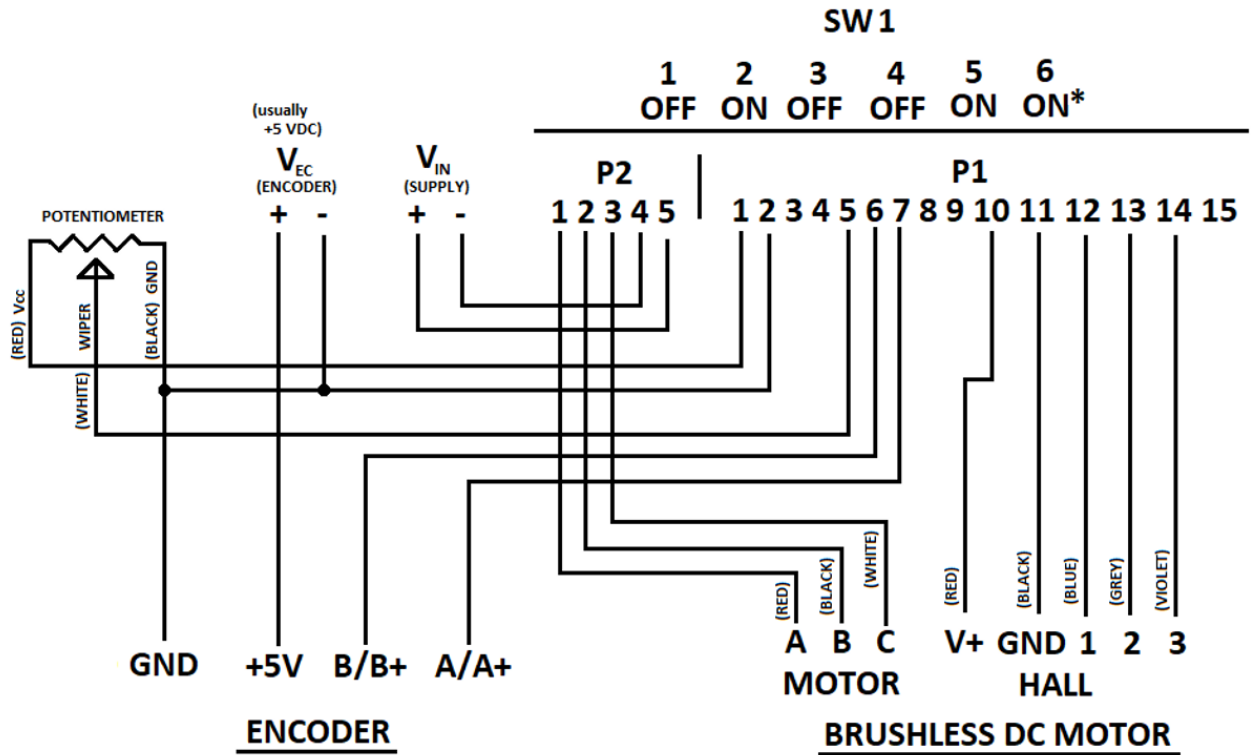


**Figure 1.** Maximum Recommended Motor Speed with encoder feedback, maximum switching frequency 22 kHz.



To utilize encoder feedback, ensure the SW1 switches are configured as shown below. From the default positions as stated in the Configuration Switch Functions table (page 6) switch SW1-1 and SW1-3 to the off position (direction away from the amplifier).

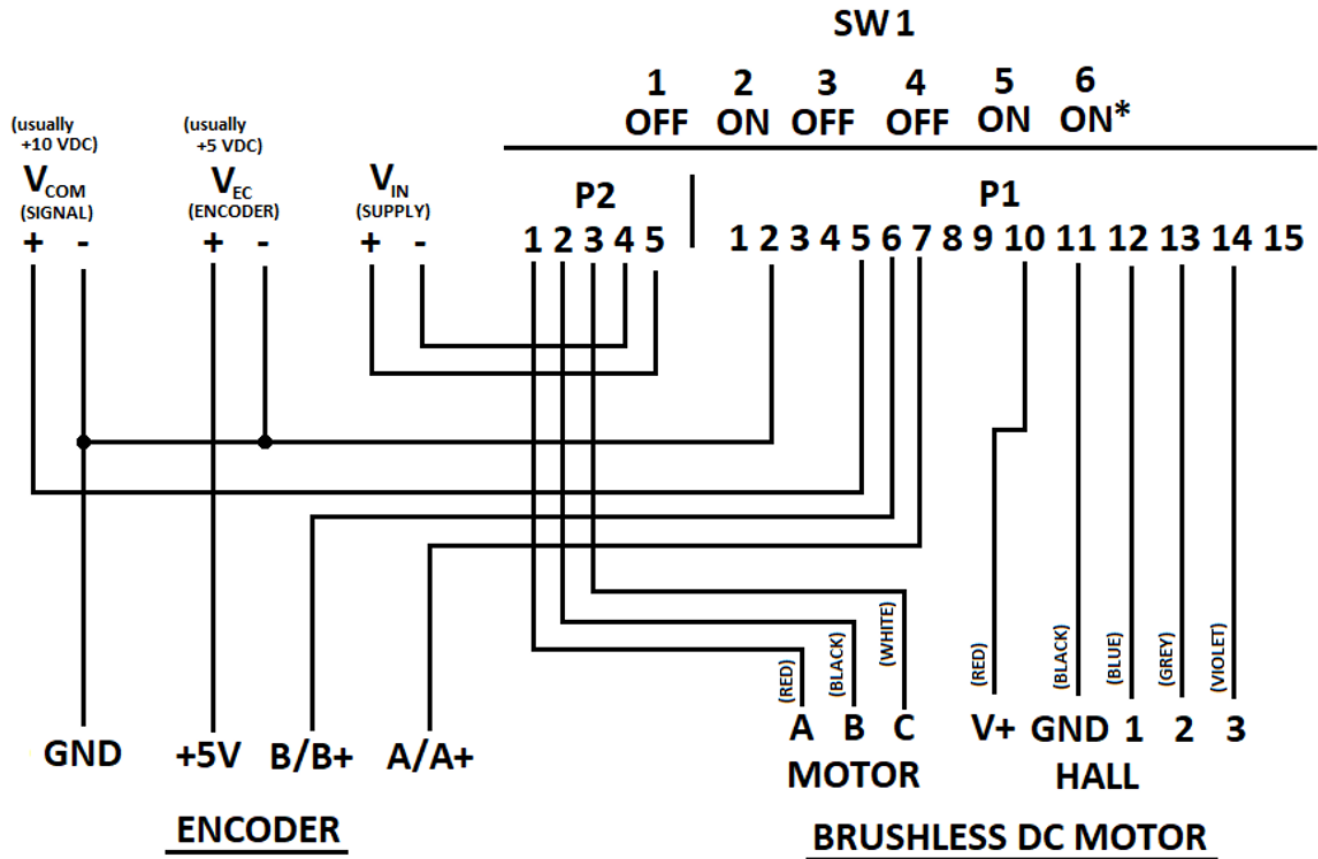
As shown below, ensure the encoder, potentiometer and external encoder source are grounded. Note that the encoder must be powered by an external source (usually 5 VDC). If the encoder channels are double ended then use the positive signal of each channel (labeled A+ and B+ on the below figure) as the feedback signal to the servo amplifier.



\*Use SW1-6 as needed to prevent a run-away condition

Figure 2. Encoder feedback wiring with potentiometer command.

If an external command signal (usually 10 VDC) is used in place of a potentiometer then wire as shown below. Remove connection to P1-1 and connect the signal positive to pin 5 (for %0-%100 POT effect). Ensure VCOM is grounded to P1-2.



\*Use SW1-6 as needed to prevent a run-away condition

**Figure 3.** Encoder feedback with external command.

For further details on configuring the command signal curve, please consult the answer to question 3 in the troubleshooting guide, found on page 22.

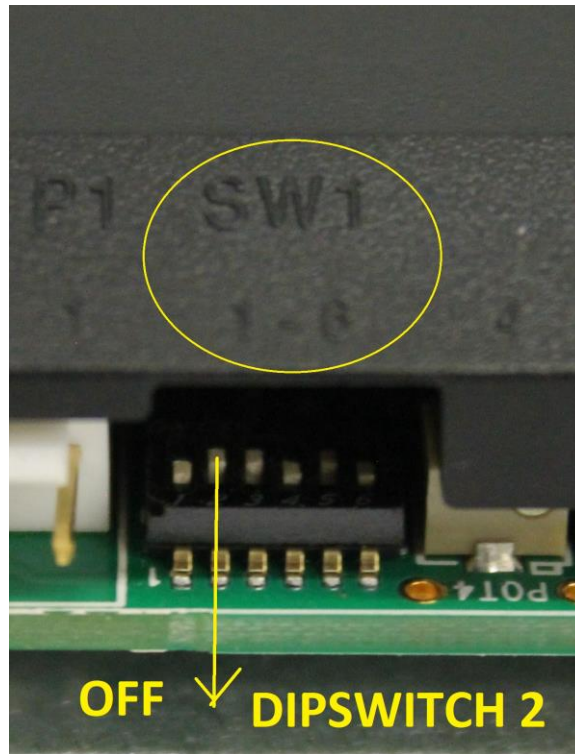
**Running a Brushed Motor with a Brushless Drive**

Follow the below steps to configure a SA-1220A-HV to run a brushed, DC motor.

**Switch Setting**

Set the 120°/60° PHASING dipswitch to OFF for 60° phasing. For the SA-1220A-HV this is dipswitch 2. The OFF position is toward the outside of the amplifier as shown in the picture below.

**Note:** Make sure to disconnect all Hall sensor inputs.



**Figure 4.** 120°/60° Phasing Switch Example

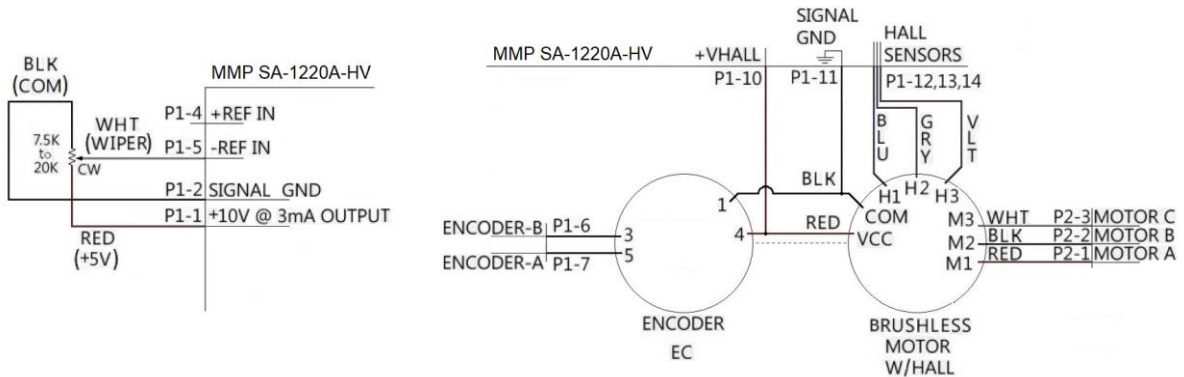
**Motor Connections**

With the 120°/60° PHASING switch OFF, the motor connections to the servo drive will be to the MOTOR A and MOTOR B terminals only.

Terminal	Connection
MOTOR A	Positive (+)
MOTOR B	Negative (-)
MOTOR C	No Connection

**Table 1.** Brushed Motor Connections. Note that the above assumes the polarity of the 10V @3mA and REF leads for the command signal to be opposite. Consult Table 2 on page 11 for further details.

**How do I reverse a brushless DC motor?**



**Figure 5.** Typical Wiring Solution of a Brushless Motor with Encoder.

The typical wiring solution shown above results in the brushless motor to run forward (CW rotation) with the potentiometer max at the CW position. Methods to reverse the brushless motor direction via wiring are as follows:

- **Change the wiring connections of the potentiometer or jump leads.** There are many ways to wire a potentiometer to the servo amplifier or jump the potentiometer leads. Consult the tables below for what leads to connect to which pins.

Connect Potentiometer Leads to Pins			Command Signal Polarity			Motor Direction of Rotation*	Potentiometer	
RED (+5V)	BLK (GND)	WHT (WIPER)	10V @3mA OUTPUT	REF	Comparison		Range	Rotation
P1-1	P1-2	P1-5	+	-	OPPOSITE	CW	0-100%	CW
P1-3	P1-2	P1-4	-	+	OPPOSITE	CW	0-100%	CW
P1-1	P1-2	P1-4	+	+	SAME	CCW	0-100%	CW
P1-3	P1-2	P1-5	-	-	SAME	CCW	0-100%	CW
P1-2	P1-3	P1-4	-	+	OPPOSITE	CW	100-0%	CCW
P1-2	P1-1	P1-5	+	-	OPPOSITE	CW	100-0%	CCW
P1-2	P1-1	P1-4	-	+	SAME	CCW	100-0%	CCW
P1-2	P1-3	P1-5	+	-	SAME	CCW	100-0%	CCW

**Table 2.** Potentiometer Wiring Solutions

\*Assumes that Hall Sensors and Motor Leads are wired in accordance with the above diagram.

Connect Leads		Motor Direction of Rotation*	Simulated Potentiometer Output
P1-1	P1-5	CW	100%
P1-3	P1-4	CW	100%
P1-1	P1-4	CCW	100%
P1-3	P1-5	CCW	100%

**Table 3.** Wire without Potentiometer (direct pin connections)

\*Assumes that Hall Sensors and Motor Leads are wired in accordance with the above diagram.

- **Change Motor and Hall Sensor Leads.** To reverse motor direction, consult the below table to properly change motor and hall sensor leads.

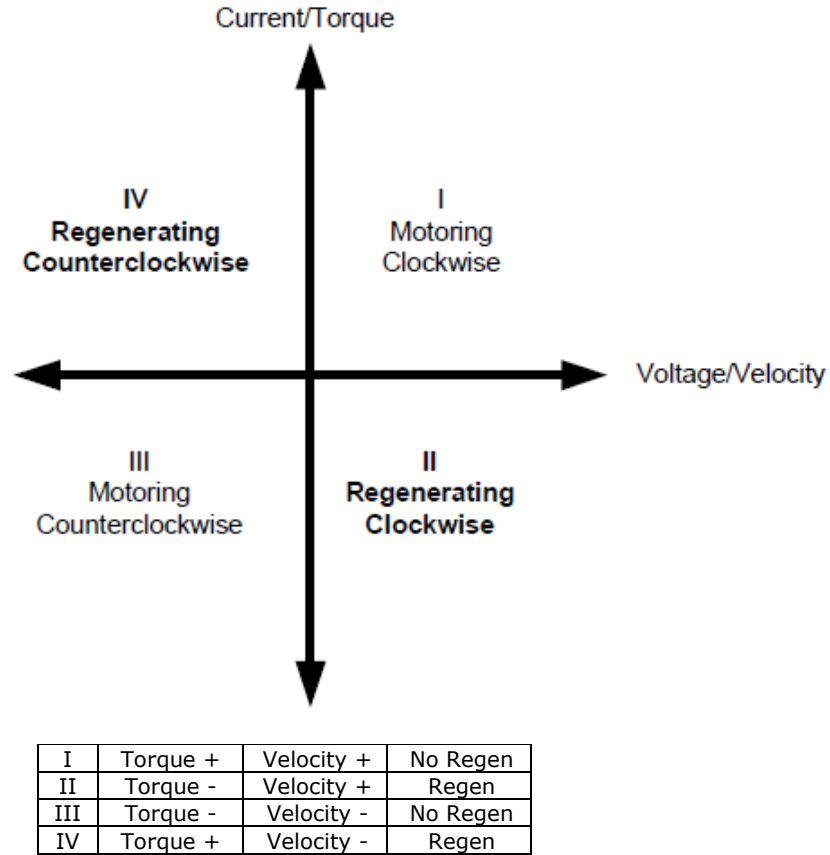
Motor Direction	Hall Sensor Connection to Drive			Motor Connection to Drive		
	H1 (BLU)	H2 (GRY)	H3 (VLT)	M1 (RED)	M2 (BLK)	M3 (WHT)
CW	P1-12	P1-13	P1-14	P2-1	P2-2	P2-3
CCW	P1-14	P1-13	P1-12	P2-2	P2-1	P2-3

**WARNING :** *DO NOT* reverse the servo amplifier input power leads, HV (P2-5) and GND (P2-4) to reverse the direction of motor rotation. This can cause severe, irreversible damage to the servo amplifier.

**Regenerative braking with the SA-1220A-HV**

**Regeneration and Shunt Regulators**

Use of a shunt regulator is necessary in systems where motor deceleration or a downward motion of the motor load will cause the system's mechanical energy to be regenerated via the drive back onto the power supply.



**Figure 6.** Four Quadrant Operation – Regeneration occurs when Torque and Velocity are opposite.

This regenerated energy can charge the power supply capacitors to levels above that of the drive over-voltage shutdown level. If the power supply capacitance is unable to handle this excess energy, or if it is impractical to supply enough capacitance, then an external shunt regulator must be used to dissipate the regenerated energy. Shunt regulators are essentially a resistor placed in parallel with the DC bus. The shunt regulator will "turn-on" at a certain voltage level (set below the drive over-voltage shutdown level) and discharge the regenerated electric energy in the form of heat.

The voltage rise on the power supply capacitors without a shunt regulator, can be calculated according to a simple energy balance equation. The amount of energy transferred to the power supply can be determined through:

$$E_i = E_f$$

Where

$E_i$  = Initial Energy  
 $E_f$  = Final Energy

These energy terms can be broken down into the approximate mechanical and electrical terms - capacitive, kinetic, and potential energy. The energy equations for these individual components are as follows:

$E_c = \frac{1}{2}CV_{NOM}^2$	$E_r = \frac{1}{2}J\omega^2$	$E_p = mgh$
$E_c$ - Energy stored in capacitor (J) $C$ - Capacitance (F) $V_{NOM}$ - Nominal bus voltage of the system	$E_r$ - mechanical energy of the load (J) $J$ - moment of inertia of the load (kg-m <sup>2</sup> ) $\omega$ - angular velocity of the load (rad/s)	$E_p$ - potential energy of load (J) $m$ - mass of the load (kg) $g$ - gravitational acceleration (9.81 m/s <sup>2</sup> ) $h$ - vertical height of the load (m)

During regeneration the kinetic and potential energy will be stored in the power supply's capacitor. To determine the final power supply voltage following a regenerative event, the following equation may be used for most requirements:

$$(E_c + E_r + E_p)_i = (E_c + E_r + E_p)_f$$

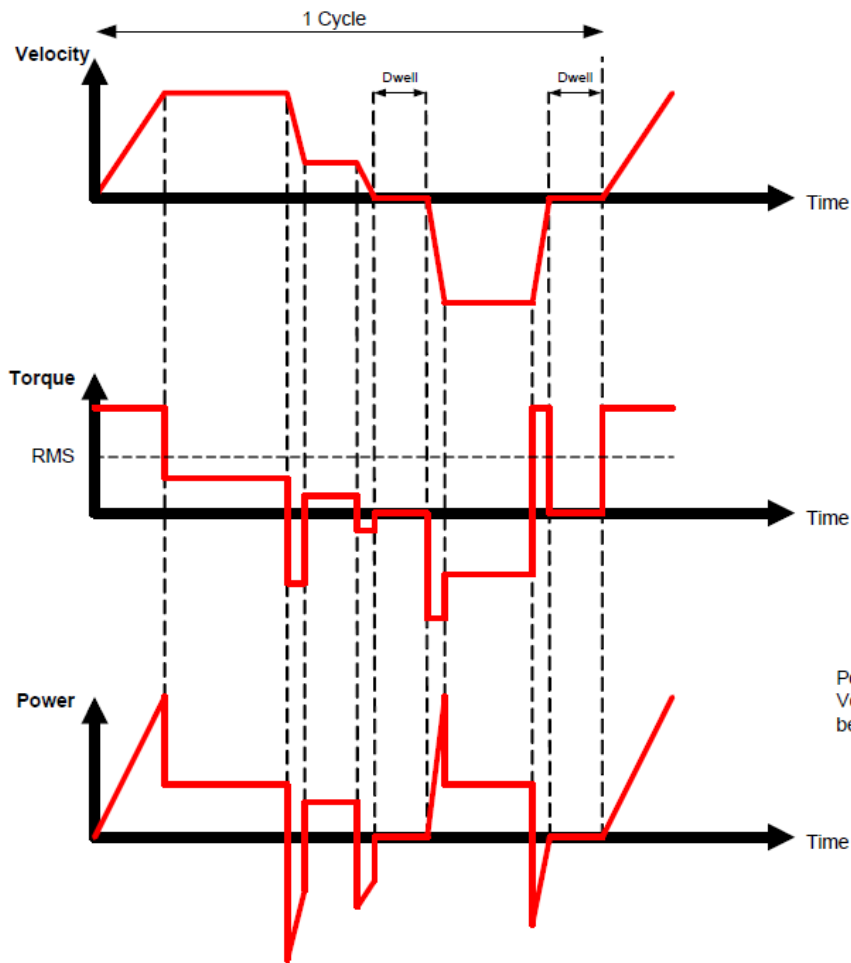
$$\frac{1}{2}CV_{NOM}^2 + \frac{1}{2}J\omega_i^2 + mgh_i = \frac{1}{2}CV_f^2 + \frac{1}{2}J\omega_f^2 + mgh_f$$

Which simplifies to:

$$V_f = \sqrt{V_{NOM}^2 = \frac{J}{C}(\omega_i^2 - \omega_f^2) + \frac{2mg(h_i - h_f)}{C}}$$

The  $V_f$  calculated must be below the power supply capacitance voltage rating and the drive over voltage limit. If this is not the case, a shunt regulator is necessary. A shunt regulator is sized in the same way as a motor or drive, i.e. continuous and RMS power dissipation must be determined. The power dissipation requirements can be determined from the application move profile.

MIDWEST MOTION PRODUCTS



**Figure 7.** Example of motor profile during operation.

When choosing a shunt regulator, select one with a shunt voltage that is greater than the DC bus voltage of the application but less than the over voltage shutdown of the drive. Verify the for a shunt regulator by operating the servo drive under the worst-case braking and deceleration conditions. If the drive shuts off due to over-voltage, a shunt regulator is necessary.

**Continuous Regeneration**

In the special case where an application requires continuous regeneration (more than a few seconds) then a shunt regulator may not be sufficient to dissipate the regenerative energy. Some examples include:

- Web tensioning device
- Electric vehicle rolling down a long hill
- Spinning mass with a very large inertia (grinding wheel, flywheel, centrifuge)
- Heavy lift gantry

**Loop Tuning Switch Functions**

In general, the drive will not need to be further tuned beyond the default configuration. However, for applications requiring more precise tuning, DIP switches can be used to adjust the current and velocity loop tuning values. Some general rules of thumb to follow when tuning the drive are:

- A larger resistor value will increase the proportional gain, and therefore create a faster response time.
- A larger capacitor value will increase the integration time, and therefore create a slower response time.

Proper tuning will require careful observation of the loop response on a digital oscilloscope to find optimal DIP switch settings for the specific application.

**(Note: Drive cover must be removed to access SW2 and SW3)**

SW2 DIP switches 1-4 add additional parallel capacitance to the velocity loop integrator capacitor (see Block Diagram). The resulting velocity loop capacitance values are given in the table below along with the appropriate DIP switch settings. By default, all SW2 switches are OFF (shaded in the SW2 table below).

SW2																
Switch	Velocity Loop Integrator Capacitance Options (µF)															
	.047	.147	.267	.367	.517	.617	.737	.837	1.047	1.147	1.267	1.367	1.517	1.617	1.737	1.837
SW2-1	OFF	ON	OFF	ON	OFF	ON	OFF	ON	OFF	ON	OFF	ON	OFF	ON	OFF	ON
SW2-2	OFF	OFF	ON	ON	OFF	OFF	ON	ON	OFF	OFF	ON	ON	OFF	OFF	ON	ON
SW2-3	OFF	OFF	OFF	OFF	ON	ON	ON	ON	OFF	OFF	OFF	OFF	ON	ON	ON	ON
SW2-4	OFF	OFF	OFF	OFF	OFF	OFF	OFF	OFF	ON	ON	ON	ON	ON	ON	ON	ON

Note: The velocity loop integrator capacitor can be shorted entirely by setting SW1-3 to OFF.

SW3 DIP switches add additional resistance and capacitance to the current loop tuning circuitry. SW3 switches 1-5 add additional series resistance to the current loop gain resistor, and SW3 switches 6-10 add additional parallel capacitance to the current loop integrator capacitor (see Block Diagram). Capacitance and resistance values are given in the tables below along with the appropriate DIP switch settings.

SW3																
Switch	Current Loop Proportional Gain Resistance Options (kΩ)															
	10	20	30	40	50	60	70	80	90	100	110	120	130	140	150	160
SW3-1	ON	OFF	ON	OFF	ON	OFF	ON	OFF	ON	OFF	ON	OFF	ON	OFF	ON	OFF
SW3-2	ON	ON	OFF	OFF	ON	ON	OFF	OFF	ON	ON	OFF	OFF	ON	ON	OFF	OFF
SW3-3	ON	ON	ON	ON	OFF	OFF	OFF	OFF	ON	ON	ON	ON	OFF	OFF	OFF	OFF
SW3-4	ON	ON	ON	ON	ON	ON	ON	ON	OFF	OFF	OFF	OFF	OFF	OFF	OFF	OFF
SW3-5	ON	ON	ON	ON	ON	ON	ON	ON	ON	ON	ON	ON	ON	ON	ON	ON
Switch (continued)	170	180	190	200	210	220	230	240	250	260	270	280	290	300	310	320
SW3-1	ON	OFF	ON	OFF	ON	OFF	ON	OFF	ON	OFF	ON	OFF	ON	OFF	ON	OFF
SW3-2	ON	ON	OFF	OFF	ON	ON	OFF	OFF	ON	ON	OFF	OFF	ON	ON	OFF	OFF
SW3-3	ON	ON	ON	ON	OFF	OFF	OFF	OFF	ON	ON	ON	ON	OFF	OFF	OFF	OFF
SW3-4	ON	ON	ON	ON	ON	ON	ON	ON	OFF	OFF	OFF	OFF	OFF	OFF	OFF	OFF
SW3-5	OFF	OFF	OFF	OFF	OFF	OFF	OFF	OFF	OFF	OFF	OFF	OFF	OFF	OFF	OFF	OFF

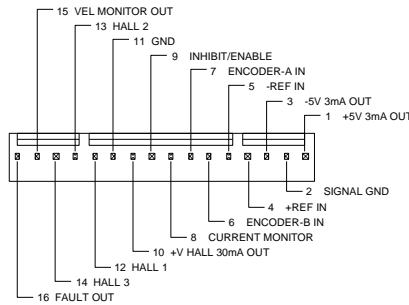
SW3																	
Switch	Current Loop Integrator Capacitance Options (µF)																
	.0047	.0147	.0247	.0347	.0477	.0577	.0677	.0777	.0847	.0947	.1047	.1147	.1277	.1377	.1477	.1577	SHORT
SW3-6	OFF	ON	OFF	ON	OFF	ON	OFF	ON	OFF	ON	OFF	ON	OFF	ON	OFF	ON	ON
SW3-7	OFF	OFF	ON	ON	OFF	OFF	ON	ON	OFF	OFF	ON	ON	OFF	OFF	ON	ON	ON
SW3-8	OFF	OFF	OFF	OFF	ON	ON	ON	ON	OFF	OFF	OFF	OFF	ON	ON	ON	ON	ON
SW3-9	OFF	OFF	OFF	OFF	OFF	OFF	OFF	OFF	ON	ON	ON	ON	ON	ON	ON	ON	ON
SW3-10	OFF	OFF	OFF	OFF	OFF	OFF	OFF	OFF	OFF	OFF	OFF	OFF	OFF	OFF	OFF	OFF	ON



**MECHANICAL INFORMATION**

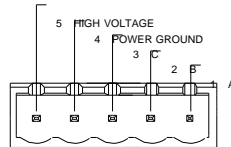
**P1 - Signal Connector**

Connector Information	16-pin, 2.54 mm spaced, friction lock header	
Mating Connector	Details	Molex: P/N 22-01-3167 (connector) and P/N 08-50-0113 (insert terminals)
	Included with Drive	Yes

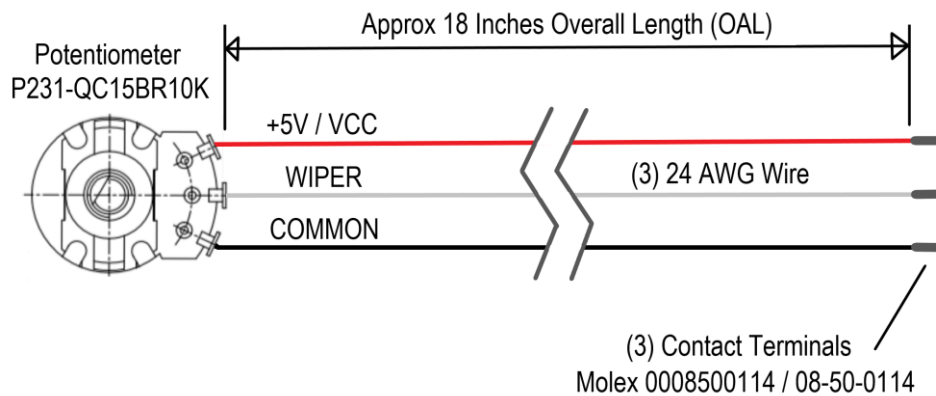


**P2 - Power Connector**

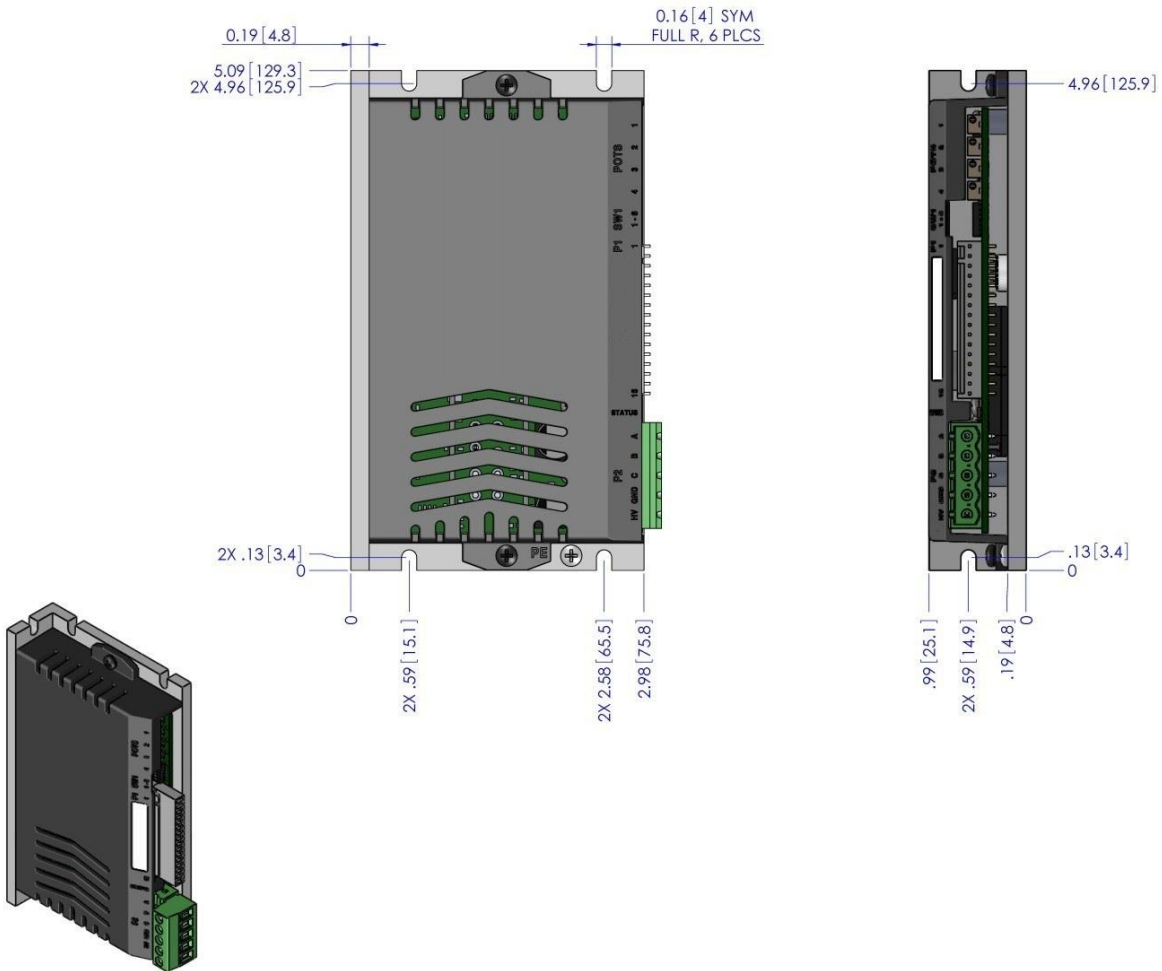
Connector Information	5-port, 5.08 mm spaced, quick-disconnect terminal	
Mating Connector	Details	Phoenix: P/N 1911994
	Included with Drive	Yes



**Included Potentiometer with Wires**



MOUNTING DIMENSIONS



MIDWEST MOTION PRODUCTS

## TROUBLESHOOTING GUIDE

Below are covered common questions and issues related to the SA-1220A-HV servo amplifier.

1. What a red LED indicator means and how to fix it.
2. How to perform current loop tuning on the SA-1220A-HV?
3. Adjusting the Command Signal Curve using the built in potentiometers of the SA-1220A-HV servo amplifier.

### 1. Red LED indicator meaning and methods of correction

A red LED can indicate any of the following fault conditions:

- Over-voltage
- Under-voltage
- Invalid Hall State
- Drive Inhibited
- Over-temperature
- Short circuit
- Over-current
- Power-on Reset

Fault conditions are non-latching, meaning that when the fault condition is removed, the drive will enable (green LED).

### Troubleshooting Instructions

1. Remove all connections from the drive. This includes the voltage supply, motor power cables, feedback and any controller I/O.
2. For a brushed drive, configure the amplifier for voltage mode. For a brushless drive, configure the amplifier for open loop mode. The switch settings for each mode can be found on the drive datasheet.
3. If using a brushless drive, set the 60 / 120 phasing switch to 60 degrees, which is the OFF position.
4. Apply power to the drive. If the drive has inverted inhibits, short the master inhibit pin to signal ground (for more information on inverted inhibits, see **Drive Inhibited** section). **The LED should be green.** The drive will fault if too much or too little voltage is applied to the drive. See **Over-voltage and Under-Voltage** section for details on this fault condition.
5. Remove power from the drive. If using a brushless motor, connect Hall sensor inputs and set the 60 / 120 phasing switch to the correct position according to the motor. Apply power to the drive and rotate the motor by hand. If the LED is red or changing between red and green, this could indicate an issue with the Hall sensor inputs. See **Invalid Hall State** section for details on this fault condition. **Note:** Most motors have 120-degree Hall sensors.
6. Remove power from the drive and connect motor power cables. Set the Test/Offset switch to the OFF position and set POT4, the Test/Offset pot, 7 turns from the full clockwise direction.
7. Apply power. If the LED is red, it could be an indication of a short circuit fault. See **Short Circuit** section for details on this fault condition.
8. Remove power and connect the controller. Remove any command from the controller to avoid unexpected motion in the motor.
9. Apply power. If the LED is red, check if the controller is disabling the drive. See **Drive Inhibited** section for more information about the inhibit input.

### Fault Conditions Explained

#### Over-voltage and Under-voltage

An over-voltage fault occurs when the bus voltage exceeds the over-voltage limit of the drive. An under-voltage can occur if too little voltage is applied to the drive. The voltage rating can be found on the drive datasheet.

- For DC input drives, verify that the DC input voltage is within the spec of the drive.
- For AC input drives, verify that the AC input voltage is within the spec of the drive.

#### Regeneration

If the drive faults during a deceleration or when lowering a vertical load, it could be due to regeneration energy raising the bus voltage beyond its over-voltage limit.

During these types of moves, the system's mechanical energy gets converted into electrical energy that flows back onto the DC bus. This charges the capacitors in the power supply and raises the DC bus voltage.

A shunt regulator may be necessary to dissipate the energy regenerated by the system. See **Section 3** on regenerative braking for more details.

**Invalid Hall State**

Brushless drives have 3 Hall sensor inputs that determine a Hall state. The drive will fault if an invalid Hall state is detected.

If the LED is red or changing between red and green as the motor rotates, it could be an indication of an invalid Hall state.

- Connect only the Hall sensors to the drive and apply power.
- Make sure the 60 or 120 phasing switch is in the correct position according to motor.
- Verify that all Hall sensor inputs are wired correctly to the drive.
- Measure the voltage levels for all Hall sensor inputs. The voltage levels should change between 0 and 5V as the motor rotates.
- If using a motor with both Hall sensors and an encoder, make sure the supply for the feedback has enough power. Drives with onboard Hall sensor power rated at 30mA won't have enough current and a separate supply will be required.
- If using a separate supply for the Hall sensors, ensure the ground reference for the supply is tied to the drive signal ground.
- Rotate the motor and verify that ALL Hall sensor inputs are changing and follow the Hall sequence in the table below.

60 Degree			120 Degree		
Hall A	Hall B	Hall C	Hall A	Hall B	Hall C
1	0	0	1	0	0
1	1	0	1	1	0
1	1	1	0	1	0
0	1	1	0	1	1
0	0	1	0	0	1
0	0	0	1	0	1
1	0	1	1	1	1
0	1	0	0	0	0

Valid  
Green  
LED

Invalid Red  
LED

**Table 4.** Valid and invalid hall sensor states per brushless motor phase.

- 1 – Indicates high level hall sensor input (5V)
- 0 – Indicates low level hall sensor input (0V)

**Drive Inhibited**

For standard inhibits, the drive disables when the inhibit pin is grounded. For inverted inhibits, the drive enables when the inhibit pin grounded.

A drive with standard inhibits has a 0-ohm SMT resistor labeled "J1" installed on the PCB. Removing this jumper will invert the inhibits. Amplifiers can be ordered with the J1 jumper removed and have a "-INV" on the end of the part number, e.g., 12A8-INV. Some drives have a DIP switch to invert the inhibits. This option will be listed on the drive datasheet if available.

**Note:** Some drives have directional inhibits (+INHIBIT / -INHIBIT) which inhibit motion in their respective directions but do NOT cause a red LED.

- Measure the voltage of the inhibit pin. It should read 5V if left open and 0 if grounded.
- Verify if the drive is configured for standard or inverted inhibits.
- If your controller is disabling the drive, verify under what conditions this will occur, e.g., position following error, position limit reached, etc.

**Over-temperature**

The drive will fault if the heat sink base plate temperature exceeds 65C.

- Safely measure the heat sink base plate temperature.
- If the temperature exceeds 65C, additional cooling may be necessary.



### Short Circuit

The drive will fault if a short circuit is detected on the output.

***This can occur if any of the motor phases are shorted to power ground, AC ground, or shorted together.***

Use a DMM to measure the resistance between two points of interest. A 0-ohm resistance indicates a short circuit.

- Measure the resistance between each motor phase.
- Measure the resistance between each motor phase and both the power ground and AC ground.
- Make sure the motor phases are not shorting to AC ground through the motor housing or shielding on the motor power cable.

### Over-current

An over-current fault will occur if commanding a current greater than the peak rating of the drive. In most cases though, the drive will limit the current to prevent an over-current fault. PWM input and Sinusoidal input drives will alternate between an enabled and disabled state to limit current when outputting current greater than the continuous rating of the drive. The LED will alternate between red and green.

### Power-on Reset

All amplifiers will have a brief flicker of a red LED during power up.

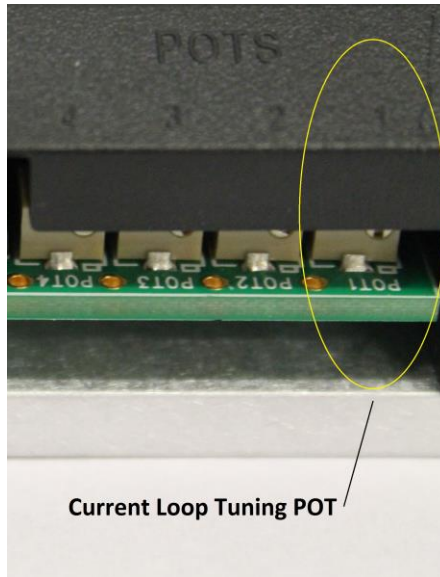
This is the power-on reset that is built into the amplifier that occurs on power up.

**2. How to perform current loop tuning on the SA-1220A-HV?**

The servo amplifier has already been configured to handle the majority of motors. The following are indications that current loop tuning may be necessary:

- Motor rapidly overheats even at low current
- Drive rapidly overheats even at low current
- Vibration sound comes from the drive or motor
- The motor has a high inductance (+10mH)
- The motor has a low inductance (near minimum rating of the drive)
- Slow system response times
- Excessive torque ripple
- Difficulty tuning position or velocity loops
- Electrical noise problems
- High power supply voltage (power supply is higher than the motor voltage rating or near the drive's upper voltage limit)
- Low power supply voltage (power supply voltage is near the drive's lower voltage limit)

To perform current loop tuning, first locate the relevant potentiometer (POT 1) as shown below:



**Figure 7.** Location of current loop tuning potentiometer on SA-1220A-HV Servo Amplifier.

**Note:** If you are running in **current mode** then current loop **tuning is not necessary**; the instructions below only apply while in velocity mode. turn the loop gain potentiometer full CCW (low).

To tune the servo amplifier, follow these steps:

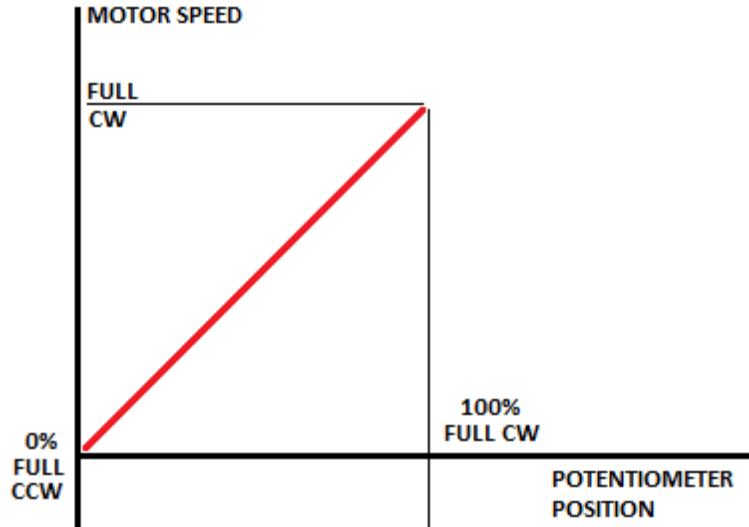
1. Connect the motor **with** the load attached.
2. Start the motor with load.
3. Turn the current loop tuning potentiometer clockwise until the motor begins to make audible noise.

**WARNING:** Exercise extreme caution when turning the potentiometer as it is very fragile. It is recommended to use a bent, z-shaped wire in place of a flat screw driver to minimize the possibility of damage.

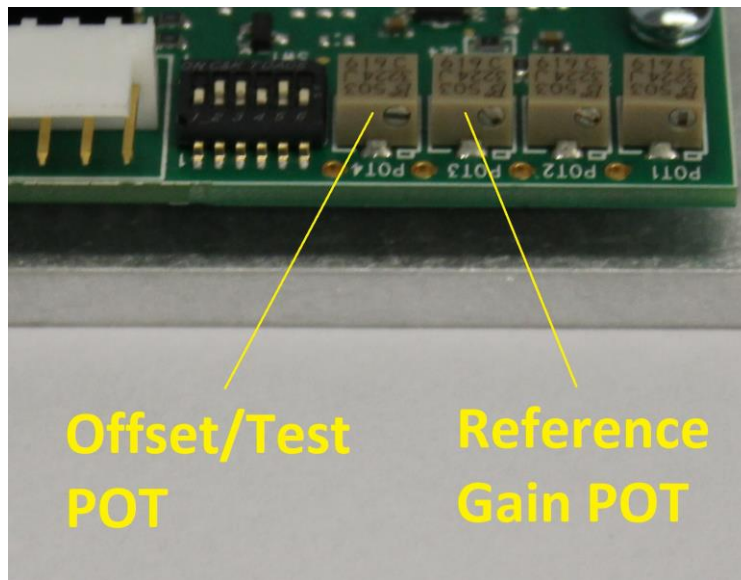
4. Turn the current loop tuning potentiometer counterclockwise slowly until the noise subsides.

**3. Adjusting the Command Signal Curve using the built in potentiometers of the SA-1220A-HV servo amplifier.**

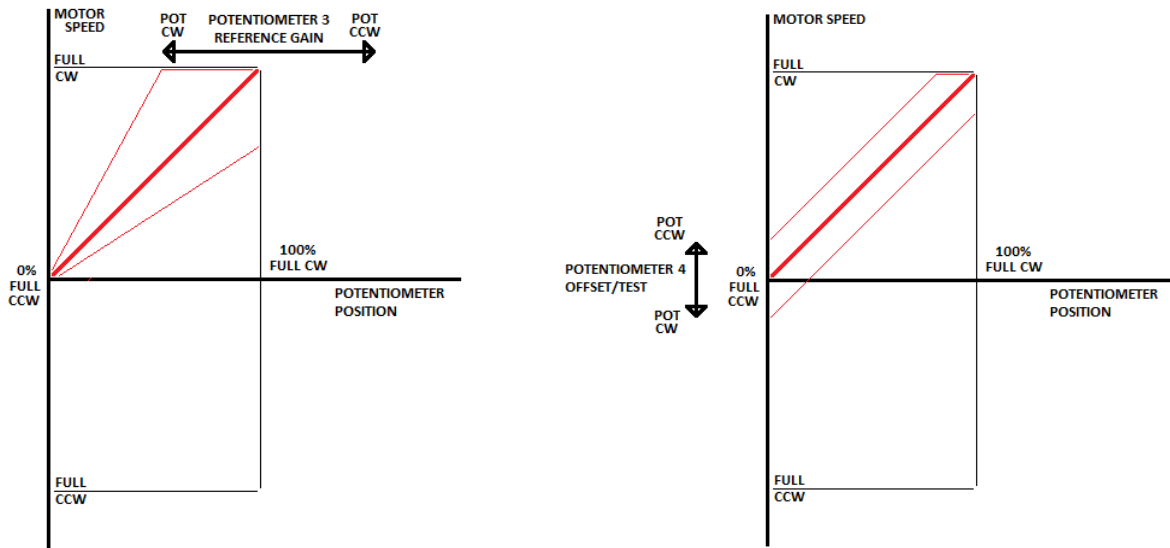
Depending on how the built in potentiometers are preset the correlation of command voltage to motor speed may result in less control of motor speed than desired. A typical command curve would appear as below if potentiometer at full CCW is 0% and full CW is 100% output.



Depending on what the application demands it may be desired to change the characteristics of the command curve. On the SA-1220A-HV the command curve can be altered by using the built in potentiometers for Reference Gain (POT 3) and Offset/Test (POT 4):



The respective potentiometers have the following effects on the command curve:



As noted in the Potentiometer Functions table on page 6, each potentiometer has approximately 12 active turns. Turning the potentiometer beyond these active points will have no effect on the command curve.